

---

## Black 32" Mobile Presentation Cart

### Instruction Manual



**SKU: CART-V07B**



Scan the QR code with your mobile device or follow the link for helpful videos and specifications related to this product.

<https://vivo-us.com/products/cart-v07b>

---

**GET IN TOUCH** | Monday-Friday from 7:00am-7:00pm CST



help@vivo-us.com



www.vivo-us.com  
*Chat live with an agent!*



309-278-5303

## **WARNING!**

If you do not understand these directions, or if you have any doubts about the safety of the installation, please call a qualified technician. Check carefully to make sure there are no missing or defective parts. Improper installation may cause damage or serious injury. Do not use this product for any purpose that is not explicitly specified in this manual. Do not exceed weight capacity. We cannot be liable for damage or injury caused by improper mounting, incorrect assembly or inappropriate use.

## **TIPOVER WARNING**

SERIOUS OR FATAL CRUSHING INJURIES CAN OCCUR FROM TIPOVER. TO HELP PREVENT TIPOVER:

- NEVER ALLOW CHILDREN TO CLIMB, STAND, HANG, OR PLAY ON ANY PART OF CART.
- USE TIPOVER RESTRAINT OR ANCHOR CART TO WALL

**USE OF TIPOVER RESTRAINTS MAY ONLY REDUCE, BUT NOT ELIMINATE RISK OF TIPOVER.**

## **WARNING: CHOKING HAZARD**

SMALL PARTS - NOT FOR CHILDREN UNDER 3 YEARS. ADULT SUPERVISION IS REQUIRED.

## PACKAGE CONTENTS



**A (x4)**  
M6x12



**B (x11)**  
M5x12



**C (x4)**  
M6x16



**D (x1)**  
4mm Allen  
Wrench



**E (x1)**  
Wrench



**F (x4)**  
Casters



**G (x2)**  
Cable Tie



**H (x4)**  
M6x14



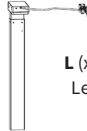
**I (x2)**  
Plastic Bushing



**J (x1)**  
Desktop



**K (x1)**  
Support  
Bracket



**L (x1)**  
Leg



**M (x1)**  
Base



**N (x1)**  
Base Support  
Bracket

DO NOT EXCEED WEIGHT CAPACITY.

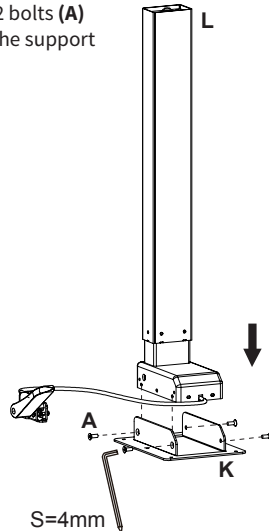
Failure to do so may result in serious injury.



## ASSEMBLY STEPS

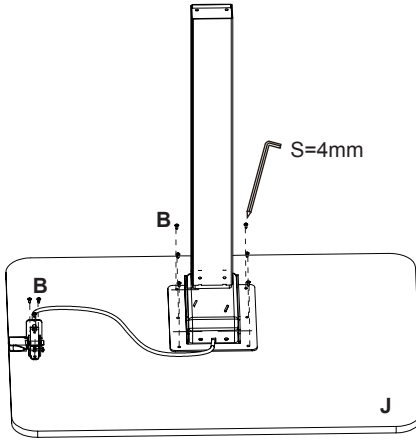
### STEP 1

Assemble the support bracket (**K**) to the leg (**L**) using M6x12 bolts (**A**) and tighten with the Allen wrench (**D**). The beveled end of the support bracket should be aligned with the front of the leg.



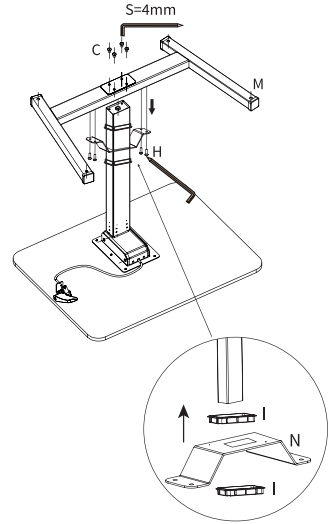
## STEP 2

Place the desktop (**J**) upside down on a flat surface. Assemble the support bracket with leg to the desktop using six M5x12 screws (**B**) and tighten with the Phillips end of the Allen wrench (**D**). Mount the handle to the desktop (**J**) using M5x12 screws (**B**).



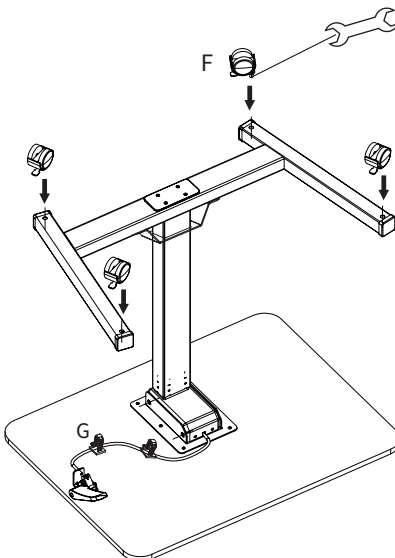
## STEP 3

Install the base support bracket (**N**) to the top of the base (**M**) with x4 M6x14 bolts (**H**), and press the plastic bushings (**I**) into the openings in the base and base support bracket. Assemble the base to the leg (**L**) using M6x16 bolts (**C**), then tighten all bolts with the Allen wrench (**D**).



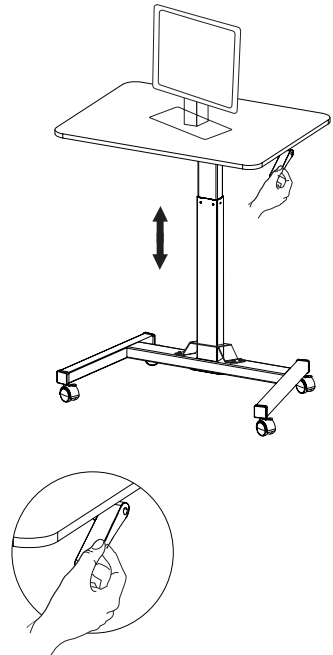
## STEP 4


Screw the casters (**F**) into the base, and tighten using the wrench (**E**). Install cable ties (**G**) to the underside of the desktop to secure the handle cable.



## STEP 5

Carefully turn the assembled cart right side up. Lift the handle to raise and lower the desktop.



 Love your new VIVO setup and want to share?  
Tag us in your photo! [@vivo\\_us](#)

LAST UPDATED: 02/08/2021  
REV1



Open **Monday - Friday 7:00am - 7:00pm** CST,  
our dedicated support team can offer immediate assistance with rapid response times. If any parts are received damaged or defective, please contact us. We are happy to replace parts to ensure you have a fully functioning product.


 [help@vivo-us.com](mailto:help@vivo-us.com)

**AVG. RESPONSE TIME** (*within office hrs*): **1HR 8M**

- 23% within < 15m
- 38% within < 30m
- 61% within < 1hr
- 83% within < 2hr
- 92% within < 3hr

 [www.vivo-us.com](http://www.vivo-us.com)  
*Chat live with an agent!*

**AVG. RESOLUTION TIME** (*within office hrs*): **< 15 M**

 309-278-5303

**AVG. RESOLUTION TIME** (*within office hrs*): **5M 4S**

FOR MORE VIVO PRODUCTS, CHECK OUT OUR WEBSITE AT: [www.vivo-us.com](http://www.vivo-us.com)